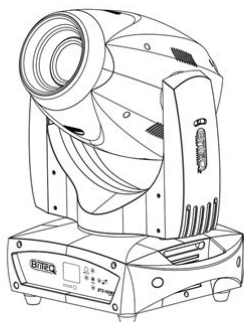


BTX-HAWK

LED ENGINE



ENGLISH Operation Manual

Other languages can be downloaded from:
WWW.BRITEQ-LIGHTING.COM



Version: 1.0



File Name: bt hawk manual.pdf

Size: 3091 KB

Type: PDF, ePub, eBook

Category: Book

Uploaded: 12 May 2019, 18:21 PM

Rating: 4.6/5 from 769 votes.

Status: AVAILABLE

Last checked: 16 Minutes ago!

In order to read or download bt hawk manual ebook, you need to create a FREE account.

[**Download Now!**](#)

eBook includes PDF, ePub and Kindle version

[Register a free 1 month Trial Account.](#)

[Download as many books as you like \(Personal use\)](#)

[Cancel the membership at any time if not satisfied.](#)

[Join Over 80000 Happy Readers](#)

Book Descriptions:

We have made it easy for you to find a PDF Ebooks without any digging. And by having access to our ebooks online or by storing it on your computer, you have convenient answers with bt hawk manual . To get started finding bt hawk manual , you are right to find our website which has a comprehensive collection of manuals listed.

Our library is the biggest of these that have literally hundreds of thousands of different products represented.



Book Descriptions:

bt hawk manual

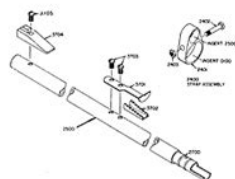
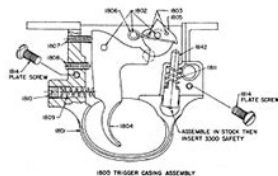


**INTERMITTENT FLASHING BETWEEN
RED AND BLUE INDICATES DEVICE IS IN PAIRING MODE**

Skil cordless screwdriver. Post navigation Cindy Bullens Steal The Night Rar Blue Drop Tenshi No Bokura Search for Top Posts Australia Rm vb Dublado Football Manager 2012 Full Rapidshare Game Nokia Symbian 7610 Ez Scenery Objects Download Fnet Turbohdd Usb Serial Key Photo Morph Studio Download The Dark Knight Arabic Buy Fake Ontario Drivers License Call Of Duty Mw3 Zone Folder Icon Sound Card Drivers Adobe Dng Codec 2.0 Windows 8 Directory Opus 8.0.1.1 Crack.bip File 3ds Max Dauntless Software Unlock Code terralogoboss. By continuing to browse the site you are agreeing to our use of cookies. You must have JavaScript enabled in your browser to utilize the functionality of this website. Learn more opens in a new window or tab This amount is subject to change until you make payment. For additional information, see the Global Shipping Programme terms and conditions opens in a new window or tab This amount is subject to change until you make payment. If you reside in an EU member state besides UK, import VAT on this purchase is not recoverable. For additional information, see the Global Shipping Programme terms and conditions opens in a new window or tab Learn More opens in a new window or tab Learn More opens in a new window or tab Learn More opens in a new window or tab Learn More opens in a new window or tab See the sellers listing for full details. You're covered by the eBay Money Back Guarantee if you receive an item that is not as described in the listing. Find out more about your rights as a buyer opens in a new window or tab and exceptions opens in a new window or tab. Contact the seller opens in a new window or tab and request post to your location. Please enter a valid postcode. Please enter a number less than or equal to 5. All Rights Reserved. User Agreement, Privacy, Cookies and AdChoice Norton Secured powered by Verisign. Click on the application that best meets your needs and view all the results available.<http://hainescentreasia.com/images/dayton-vfd-manual.xml>

- **bt hawk manual, bt hawk manual download, bt hawk manual pdf, bt hawk manual free, bt hawk manual 2017.**

50878	Description
1800	Trigger Casing Ass'y
1801	Trigger Casing
1802	Pivot Pin(3)
1803	Sear Nub Pin(2)
1804	Trigger
1805	Sear
1806	Sear Spring
1807	Top Screw
1808	Middle Screw
1809	Trigger Spring
1810	Bottom Screw
1811	Safety Spring
1812	Safety Rod
1813	Casing Plate
1814	Casing Plate Screw (2)
2400	Strap Ass'y
2401	Strap
2402	Strap Screw
2403	Strap Screw Nut
3700	Sight Package
3701	Rear Sight
3702	Rear Sight Ramp
3703	Rear Sight Screw (2)
3704	Front Sight
3705	Front Sight Screw



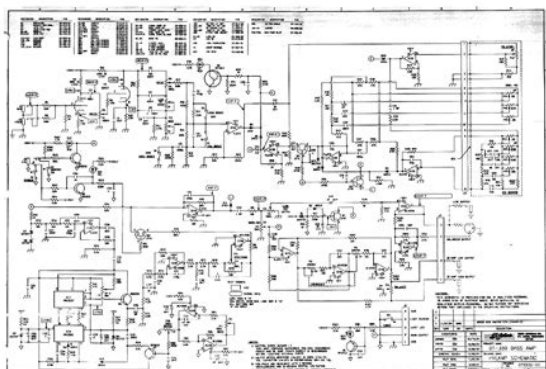
11

A list of Hawk pumps that meet all your parameters will be displayed. Ask your question here. Provide a clear and comprehensive description of the issue and your question. The more detail you provide for your issue and question, the easier it will be for other FreeGo Hawk owners to properly answer your question. Ask a question This manual comes under the category Electric bicycles and has been rated by 1 people with an average of a 5.6. This manual is available in the following languages English. Do you have a question about the FreeGo Hawk or do you need help. Ask your question here FreeGo Hawk specifications Brand ManualSearcher.com ensures that you will find the manual you are looking for in no time. Our database contains more than 1 million PDF manuals from more than 10,000 brands. Every day we add the latest manuals so that you will always find the product you are looking for. Its very simple just type the brand name and the type of product in the search bar and you can instantly view the manual of your choice online for free. ManualSearcher.com If you continue to use this site we will assume that you are happy with it. Read more Ok. A NEMA 1 rated metal enclosure comes standard with a " conduit knockout included for all line voltage connections. An optional mounting bracket and plenum rated nylon capillary mounting clips are available and must be ordered separately as listed on the back of this data sheet. Applications Protect Heating and Cooling Coils, Low Temperature Limit Switch in applications where temperature stratification may occur. Ver 1.4Features.3Button Functions. 5. Video settings. 5. Photo settings. 7. System Setup settings.8. BT Pair. 9. How to update firmware.10. WiFi. 11. Battery Charging. 11. Transferring Files. 11. External Microphone.11. Accessories. 12. Instruction for accessories.12. Accessories installation instructionsNot in stander package. 13. Trouble shooting. 15Photo resolution. AV output format. USB Port.<http://feng-huametal.com/userfiles/dayton-vacuum-cleaner-manual.xml>



HD Output U3 Note Low speed sd Maximum size of Specifications LCD screen size Battery Capacity
 Battery Battery life Compressed format. About 1.33 hours 25 About 3 hours 5V 1A power Diaphragm.
 Angle. Diagonal 170 degrees. Optical Parameter distortionless version. Diaphragm. Angle Working
 Voltage Electric Parameter. Power supply Name. Button. Functions. Descriptions. Press once, camera
 ON; press for 3 OK Button UP Button DOWN Button Move downwards. Playback. Playback Video
 settings. In video preview mode, press "Down button" will enter menu. Settings Press OK button to
 enter setting menu. Videos Select Videos and press OK button to enter normal video mode.
 Timelapse Select timelapse and press OK to enter timelaps mode. To adjust Car Mode Select Car
 Mode and press OK button to enter. In Car mode, Auto DVRS Low Motion Select Slow motion and
 press OK button to enter. In this mode, it will Resolution select from 4K 30fps 169, 4K 25fps
 Superview, 2160P 30fps 43, 2.7K Superview, 960P 120fps 43, 960P 60fps 43, 960P 30fps 43,
 720P Superview, 720P 30fps SuperView ect. Video Quality Super. Fine, Fine, Normal. Auto Lowlight
 Off, On. When turn this function On, camera will drop the frame rates to Gyro Sensor Off, On.
 Available in 1080P 60fps and 1080P 30fps. Motion detect Off, Low, Medium, High. When turn this
 function ON and press OK Dual files off, on. When turn on, it will save a low resolution file when
 recording. Small We suggest to turn this function on while using APP Note this function will make
 videos look like fastforward. Loop record off, 1min, 2min, 3min, 5min. If cycle recording mode is
 selected, the video The earliest files will be covered when the TF Sharpness Strong, Normal and Soft.
 AWBAuto White Balance.
 Auto, Incandescent, D4000, D5000, Daylight, Cloudy, D9000, D10000, Flash, Fluoresc ISO
 Auto, 100, 20, 400, 800, 1600. Metering Center, Multi, Sopt. Note different meter ways will make the
 footage Photo settings. In photo preview mode, press Down button to enter menu.
 Photos Select Photos and press OK button to enter normal photo mode. Burst Select Burst and press
 OK button to enter Burst photo mode. To adjust it, Playback Select playback and press OK button to
 enter. Timelapse Select timelapse and press OK to enter. To adjust timelapse please Long exposure
 Select Long exposure and press OK to enter. To adjust Long Photo Quality
 Super. Fine, Fine, Normal. When turn this function ON, you could Self Timer Off,
 2S, 3S, 5S, 10S, 30S, 60S. Timelapse Photo 3S, 5S, 10S, 30S, 60S. Sharpness Strong, Normal, Soft.
 AWBAuto White.
 Balance Auto, Incandescent, D4000, D5000, Daylight, Cloudy, D9000, D10000, Flash, FI ISO
 Auto, 100, 20, 400, 800, 1600. Metering Center, Multi, Sopt. Note different meter ways will make the
 footage System Setup settings. Quick Capture Off, On. ON It will capture videos when power on.
 Delay Off off, 5S, 10S, 20S, 30S, 60. available When Auto record turn ON. TV Mode NTSC, PAL. Light
 Frequency Auto, 50HZ, 60HZ. Set LCD brightness, when set it low, the. Auto shutdown Off,

2Min,3Min,5Min,10Min. When there're no operations, theScreen Off Off,30S,1Min,3Min,5Min. When there're no operations,will power off theStatus LED Off, 1,2,3. Set the action LED light on the machine. Time Setup. Set the date time of the machine, or you could upate date time with. APP throught WiFi.Language English, Chinese,Rusaian. BT Pair. How to pair BT remote controler Set this menu ON, the machine will keepPress any key of the remote controler, and theKeep pressing any key of the remote controlerNote When CameraBluetooch remote controler is not in stander package. Turn Off WiFi, the power consumption will be saved. WiFi SSID. You can change WiFi name. WiFi Password. You could change WiFi passwords here. Format. Format the MicroSD card. Default Setting. Set to default settings. Note if the camera has any problems, youHow to update firmwareWhen update finish, it will power on, and thenPlease check our websitewww.CNfpv.com or the QR code to find our APP.You will now be able toBattery Charging.



<http://www.drupalitalia.org/node/71184>

Connect the camera to a computer or phone charger using the included USBTransferring FilesEnter "Removable Disk"External Microphone. Please buy our external microphone for FIREFLY 8S. When plug in theInstruction for accessoriesB. Format MiroSD cardOne FIREFLY once. Suggest MicroSD cards Sandisk. Extreme U3,Sandisk Extreme Pro U3,Sandisk Extreme PLUS U3,Lexar 1000xCamera power ON, it will keep searching BT remote controler for 20 seconds, ifWhen you want to use WiFi to playback videos, weWhen this function is turned ON, it will save a lowWhen playback via WiFi, playThese limits are designed toThis equipment generates uses and can radiate radio frequency energy and, if notHowever, there is no guarantee thatIf this equipment does causeChanges or modifications not expressly approved by the party responsible forThis device complies with part 15 of the FCC Rules. Operation is subject to thePDF Version 1.7. Linearized No. Creator Comedia. Description. Title DVR603. Comments. Company. Creator Tool WPS Office. Keywords. Producer. Document ID uuid014036ed69684503a3b9a1a9aaa4c1a0. Instance ID uuid1c75459bd29f41489a4be368567e864b. Page Count 16. Author Comedia. Subject. Trapped false. Stay as long as you want. Our Destination Trailers provide your whole family with the accommodations you need for a full season of fun. Our toy haulers give you and your motorized toys a rugged and economical home base in the great outdoors. Beyond that, our toy haulers are great for anyone who travels with lots of bulky cargo! No wonder theyre the perfect choice for people with pickups! We have provided a list of contact information for our component suppliers see above, and weve posted several key component manuals here for your convenience. Note the manuals are relatively large files. Allow time for the download Our Archives are posted here, and are organized alphabetically by component manufacturer name. Parts are available exclusively through authorized Gulf Stream Coach Dealers.

<http://andeanpaths.com/images/bosch-sps-5122-service-manual.pdf>



Stay as long as you want. Beyond that, our toy haulers are great for anyone who travels with lots of bulky cargo! No wonder they're the perfect choice for people with pickups. Este sistema incluye dos controles remotos para activar y desactivar su sistema de seguridad. Los controles remotos se comunican con el modulo principal mediante el envio de codigos aleatorios que cambian cada vez que un boton del control remoto es presionado. Este codigo posee billones de posibles combinaciones lo que lo hace imposible de duplicar o clonar. Cada control remoto posee un codigo unico invisible evitando con esto que existan controles remotos iguales o que puedan ser duplicados. Cada control remoto es programado individualmente utilizando un codigo que varia entre millones de posibilidades cada vez que es presionado un boton en el control remoto. Boton Valet El Boton Valet es utilizado en combinacion del llavin de ignicion para programar el sistema de seguridad, programar nuevos controles remotos, desactivar los antisecestros, colocar el sistema en modo valet, realizar el desarmado de emergencia sin controles remotos entre otros. LED indicador del tablero El LED indicador le informa de las 8 diferentes condiciones que se encuentra el sistema de seguridad. Se recomienda instalarlo en un lugar visible desde el exterior del vehiculo. Adicionalmente ofrece una advertencia si el sistema de alarma sufrio un intento de hurto y cual zona detecto la alteracion.

<http://antenasmunarriz.com/images/bosch-sps53e08eu-manual-english.pdf>



Tabla de Referencia del LED Estado del LED Significado LED Apagado El sistema de alarma se encuentra desactivado LED Encendido constante El sistema de alarma se encuentra en Modo Valet LED Destellando lentamente El sistema de alarma se encuentra activado LED Destellando rapidamente El sistema de alarma se encuentra en Armado o Rearmado automatico LED Destella 1 vez El vehiculo sufrio un intento de hurto por el circuito de ignicion LED Destella 2 veces El vehiculo sufrio un intento de hurto por apertura de Baul LED Destella 3 veces El vehiculo sufrio un intento de hurto por apertura de Puertas LED Destella 4 veces El vehiculo sufrio un intento de hurto por Modulos opcionales 4 Activacion del sistema de alarma Presione el boton del control remoto, el sistema de alarma confirmara con un tono corto de sirena y un destello de luces, el LED destellara lentamente confirmando que el sistema se encuentra operando. Si una de las puertas del vehiculo se encuentra mal cerrada al momento de activar el sistema de alarma, la sirena emitira tres tonos cortos y las luces daran tres destellos. Revise las puertas del vehiculo y vuelva a activar el sistema de seguridad. Si la falla persiste, consulte con su instalador. Si los seguros electricos del vehiculo se encuentran conectados, estos se cerraran y el corte de ignicion sera activado para impedir el encendido del vehiculo. Activacion del sistema de alarma sin sensor de golpes Presione el boton y luego el boton del control remoto, el sistema de alarma confirmara con un tono corto de sirena cada vez que presione uno de los botones y un destello de luces. En este modo, todo el sistema de alarma funcionara con normalidad pero el sensor de golpes estara apagado evitando falsas alarmas en zonas muy transitadas o zonas con ruidos muy fuertes. Si una de las puertas del vehiculo se encuentra mal cerrada a la hora de activar el sistema de alarma, la sirena emitira tres tonos cortos y las luces daran tres destellos.

Activacion Silenciosa Presione el boton y en menos de tres segundos presione el boton. El sistema de alarma entrara en modo de armado sin emitir ningun tono de sirena. Activacion del sistema de alarma en modo automatico Luego de cerrar la ultima puerta del vehiculo, el LED indicador del tablero dara destellos rapidos para confirmar que 30 segundos despues el sistema de alarma entrara en modo de armado automaticamente. Si los seguros electricos del vehiculo se encuentran conectados, estos se cerraran y el corte de ignicion sera activado para impedir el encendido del vehiculo ver tabla de programacion. NOTA use con precaucion ya que el vehiculo podria cerrarse aun con las llaves colocadas en el llavin de ignicion. Sistema de Alarma Activado Cuando el sistema de alarma se encuentre completamente activado, el LED indicador del tablero destellara lentamente, si una puerta es abierta, la sirena comenzara a sonar y las luces laterales destellaran durante 30 segundos, si la puerta permanece abierta pasados los 30 segundos, la sirena continuara sonando y las luces destellando durante 3 minutos, pasados los 3 minutos el sistema de alarma excluye los sensores de las puertas protegiendo el vehiculo con el resto de los sensores, si la puerta es cerrada antes de los primeros 30 segundos despues de comenzar a sonar la sirena, la sirena se silenciara a los 30 segundos y las luces dejaran de destellar. Si al desactivar el sistema de alarma la sirena emite 4 tonos y las luces 4 destellos, esto le indicara que el vehiculo sufrio un intento de hurto, el LED indicador del tablero seguira destellando hasta que pase el switch de ignicion a la posicion de ON, revise bien el vehiculo. Exclusion de zonas defectuosas Cada vez que el sistema de alarma es activado, este realiza una comprobacion de zonas, si una de estas se encuentra defectuosa, el sistema automaticamente ignora la zona hasta que el problema sea corregido.

<https://www.inkfactory.pk/wp-content/plugins/formcraft/file-upload/server/content/files/1626c2bddf0c5f--canon-eos-40d-user-manual-download.pdf>

El sistema confirmara con 3 tonos cortos de sirena y 3 destellos de luces. El resto de zonas continuaran operando completamente y periodicamente se realizara una nueva comprobacion de zonas, si la zona defectuosa fue corregida, sera incorporada nuevamente. Un ejemplo de zona defectuosa puede ser una puerta mal cerrada, al activar el sistema de seguridad, seran emitidos 3 tonos de sirena y 3 destellos de luces, al cerrar correctamente la puerta, 3 segundos despues, esta zona defectuosa sera incorporada nuevamente al sistema de alarma. Desactivacion del sistema de alarma Presione el boton del control remoto, el sistema de alarma confirmara con dos tonos cortos de sirena y dos destellos de luces, el LED permanecera apagado o destellando rapidamente si la reactivacion automatica se encuentra programada ver tabla de programacion. Si desea un segundo pulso de abrir seguros electricos, presione nuevamente el boton del control remoto. Si los seguros electricos del vehiculo se encuentran conectados, estos se abriran y el corte de ignicion sera liberado para permitir el encendido del vehiculo. Si el reconocimiento de dueno se encuentra activado ver tabla de programacion, el corte de ignicion no sera liberado hasta que coloque la llave en ignicion y presione el boton de valet. Si la funcion, extension de luces de parqueo, se encuentra encendida ver tabla de programacion las luces laterales del vehiculo continuaran encendidas por 30 segundos luego de desactivar el sistema de alarma. Desactivacion Silenciosa Presione el boton y en menos de tres segundos presione el boton. El sistema de alarma sera desarmado sin emitir ningun tono de sirena. Si el sistema sufrio un intento de hurto por algun motivo, la sirena confirmara con cuatro tonos.

6 Doble pulso de apertura El sistema de seguridad viene preadaptado para vehiculos que requieren una senal doble al abrir los cierres centrales sea para abrir la puerta del conductor primero y luego las demas o sea para los vehiculos que requieren de un primer pulso para desactivar los sistemas de alarma originales y luego abrir los seguros del vehiculo. Si se requiere un doble pulso de apertura, presione dos veces continuas el boton del control remoto. Panico Con el sistema de alarma activado o desactivado y con el vehiculo encendido o apagado presione simultaneamente los botones y del control remoto. La sirena comenzara a sonar con todos sus tonos y las luces destellaran. Para

desactivar el modo panico, presione cualquier boton del control remoto. Buscador de vehiculo Mientras el sistema de seguridad se encuentre activado, presione el boton del control remoto. El vehiculo destellara las luces 5 veces y la sirena emitira 1 tono. Esta funcion es utilizada para localizar facilmente el vehiculo en un estacionamiento, por ejemplo. 2do Canal El segundo canal es uno de los canales auxiliares con los que cuenta este sistema de seguridad. De fabrica viene preprogramado para abrir el baul del vehiculo. Presione por 3 segundos el boton del control remoto para obtener una senal negativa de 250mA en el cable del segundo canal. Si el sistema de seguridad se encuentra activado, sera ignorado por un corto espacio de tiempo el sensor de golpes asi como el interruptor de deteccion del baul. 3er Canal El tercer canal es un canal auxiliar con multiples programaciones. Pueden ser agregados modulos opcionales al sistema de alarma. Ver opciones de programacion en la tabla de programacion. 4to Canal El cuarto canal es un canal auxiliar con multiples programaciones. Ver opciones de programacion en la tabla de programacion.

7 Apertura y cierre de seguros con el vehiculo encendido Presione el boton para abrir los seguros electricos o presione el boton para cerrar los seguros electricos del vehiculo con el motor en marcha. Utilizar el control para realizar estas funciones le permite utilizar el cierre inteligente de seguros ver tabla de programacion. Cierre inteligente de seguros electricos Este sistema de seguridad cuenta con un sistema de cierre de seguros electrico inteligente mientras el vehiculo se encuentra encendido. Mientras el vehiculo se encuentra encendido y utilizando el control remoto para abrir los seguros electricos del vehiculo, abra y cierre las puertas, 5 segundos despues de cerrar la ultima puerta, el sistema cerrara nuevamente los seguros electricos del vehiculo. Modo Valet La funcion de Modo Valet esta disenada para inhabilitar por completo el sistema de seguridad cuando sea requerido, por ejemplo, si se requiere llevar el vehiculo a mantenimiento, a limpieza o por cualquier otro motivo especial. Durante el modo valet, el LED indicador del tablero estara encendido y unicamente funcionaran los cierres centrales del vehiculo, el buscador de vehiculo, el panico via control remoto y los canales auxiliares 2 y 3. Seran excluidos los cortes de ignicion, sensores o pines de puertas, sensores auxiliares como el sensor de golpes. Ingresar el sistema de alarma a Modo Valet 1. Coloque la llave en Ignicion ON. 2. Presione una vez el boton valet, sueltelo y presionelo nuevamente por 5 segundos. 3. El LED indicador del tablero permanecera encendido constante. 4. Cada vez que la ignicion sea removida, la sirena emitira un tono para recordar que el sistema de alarma se encuentra apagado. Cancelar el sistema de Modo Valet 1. Coloque la llave en Ignicion ON. 2. Presione una vez el boton valet. 3. El LED indicador del tablero se apagara. 8 Modo Valet via control Remoto Mientras el vehiculo se encuentre con el motor encendido, presione por 5 segundos el boton para activar el modo valet.

El LED permanecera encendido fijo y el sistema de seguridad estara apagado. Solamente se podran abrir y cerrar los seguros electricos y utilizar los modulos opcionales. Mientras el vehiculo se encuentre con el motor encendido, presione por 5 segundos el boton para desactivar el modo valet. El LED se apagara y el sistema de seguridad estara operando normalmente. Desarme de Emergencia En el caso que el control remoto se extravie, se le agoten las baterias o se dane, el sistema de alarma podra ser desactivado utilizando la llave del vehiculo en combinacion del boton valet. 1. 2. 3. 4. El sistema de alarma se encuentra Activado. Abra una de las puertas del vehiculo Coloque la llave en ignicion ON Presione el boton valet segun sea el codigo de seguridad asignado de fabrica 1. Si el codigo ingresado es correcto, el sistema de alarma se desactivara y podra ser encendido el vehiculo. Si el codigo es incorrecto, la sirena sonara con todos sus tonos y debera repetir el procedimiento. Antisecuestro via control remoto Esta funcion permite activar el antisecuestro utilizando el control remoto, mientras el motor del vehiculo se encuentre encendido, presione el boton del control remoto por 5 segundos para activar el antisecuestro via control remoto. Las luces del vehiculo confirmaran con dos destellos, el LED destellara y luego de finalizado el tiempo, el vehiculo sera inmovilizado ver tabla de programacion. El antisecuestro via control remoto podra ser utilizado aun si el sistema de alarma se encuentra en modo valet. Antisecuestro por control remoto en modo valet 9 Si el sistema

de alarma se encuentra en modo valet, aun es posible activar el antisequestro por control remoto. Presione el boton del control remoto por 5 segundos mientras el vehiculo este encendido. Esto activara el antisequestro via control remoto y apagara el vehiculo. Para salir de este modo remueva la llave de ignicion, coloquela de nuevo y presione el boton de valet segun sea el codigo de seguridad asignado.

Antisequestro por puertas Esta funcion permite activar el antisequestro al abrir o al abrir y cerrar segun programacion la puerta del conductor o alguna puerta del vehiculo, mientras el motor de vehiculo se encuentre en marcha, abra la puerta del conductor o cualquiera de las puertas del vehiculo segun programacion para activar el modo de antisequestro por puertas. Las luces laterales del vehiculo destellaran y el LED indicador del tablero comenzara a destellar indicando la activacion del antisequestro. El cable de activacion de antisequestro por puertas debe estar conectado a la puerta del conductor o a todas las puertas del vehiculo para que opere ver tabla de programacion.

Antisequestro por puerta independiente El sistema de alarma cuenta con una entrada independiente para activar el antisequestro por puertas cable azul con blanco lo que permite que el antisequestro sea iniciado por una sola puerta o por varias puertas, mediante programacion se puede elegir el tipo de disparo al abrir o abrir y cerrar la puerta. Ver tabla de la funciones.

Antisequestro por ignicion Esta funcion permite activar el antisequestro por ignicion cada vez que el motor del vehiculo es puesto en marcha. Con el sistema de alarma desactivado, gire la llave a la posicion de encendido ON, el sistema de alarma iniciara un conteo de tiempo de tres etapas antes de inmovilizar el motor del vehiculo. El LED indicador del tablero destellara y las luces laterales daran dos destellos para indicar que el primer conteo ha dado inicio, el boton de valet puede ser presionado para cancelar el modo de antisequestro. Si el boton de valet no es presionado, la sirena dara tonos cortos continuos como advertencia de que esta por inmovilizarse el motor del vehiculo, presione el boton de valet para cancelar el modo de antisequestro mientras la sirena suena intermitentemente.

Si el boton de valet no es presionado, el vehiculo sera inmovilizado, las luces laterales daran destellos y la sirena sonara constantemente, para cancelar el antisequestro, remueva la llave de ignicion, coloquela nuevamente y presione el codigo de seguridad asignado ver tabla de programacion.

Antisequestro por Presencia Esta funcion permite inmovilizar el vehiculo si el control de presencia adicional es separado del vehiculo. Mientras el motor del vehiculo se encuentre en marcha, aleje el control adicional de presencia, el sistema de alarma iniciara con un ciclo de busqueda de control. Si el control adicional de presencia no se encuentra dentro del rango de comunicacion, el sistema de antisequestro sera activado, luego de unos segundos la sirena sonara con tonos cortos intermitentes y luego el vehiculo sera inmovilizado. Si el control adicional de presencia esta dentro del rango de comunicacion, enviara una senal al sistema de alarma para que el antisequestro pase a modo de espera.

10 Modo de Espera Cada vez que sea colocada la llave en ignicion o cada vez que una puerta sea abierta, el sistema de alarma comenzara un ciclo de busqueda del control remoto adicional de presencia, si el control se encuentra dentro del rango, el sistema de antisequestro recibira la senal proveniente desde el control y pasara al modo de espera de apertura de puerta.

Modo Activo Una vez que es colocada la llave en ignicion o una puerta es abierta, el sistema de alarma comenzara con la busqueda del control remoto adicional, si este no esta dentro del rango de recepcion, se encuentra apagado o las baterias se encuentran agotadas, la funcion de antisequestro por presencia continuara con el conteo e inmovilizara el vehiculo ver tabla de programacion.

1. Vehiculo encendido, llave en posicion de ON o una puerta es abierta.
2. Inicio de la busqueda del control adicional de presencia.
3. Si el control adicional se encuentra en rango, el sistema pasa a modo de espera.
- 4.

Si el control adicional no esta en rango, se encuentra apagado o con baterias agotadas, pasados 60 segundos, las luces laterales daran dos destellos, el LED destellara y la sirena brindara tonos cortos por 30 segundos para advertir que el vehiculo esta por ser inmovilizado. Encendido y apagado del

control adicional de presencia El transmisor adicional de presencia le permite utilizar la función de antisecuestro por presencia o alejamiento. El transmisor adicional de presencia puede ser apagado en cualquier instante para ahorrar batería o bien cerciorarse que no envíe señal al vehículo en caso de robo del mismo. 11 Encendido del control de presencia Presione el botón del control remoto por 5 segundos, el LED del control permanecerá encendido mientras lo presiona y luego se apagará. Suelte el botón del control remoto, el LED del control encenderá nuevamente y se mantendrá encendido por 3 segundos para indicar que el control se encuentra encendido. El control adicional de presencia destellará el LED cada 6 segundos para confirmar que está siendo enviada la señal al módulo principal de la alarma. Cuando las baterías estén por agotarse, el LED del control adicional de presencia dará destellos continuos hasta que sean reemplazadas las baterías o se agoten por completo. Apagado del control de presencia Presione por 5 segundos el botón del control adicional de presencia, el LED del control permanecerá encendido mientras lo presiona y luego se apagará. Suelte el botón del control remoto, el LED dará 5 destellos continuos para advertir que el control ahora se encuentra apagado. Realice este procedimiento para extender la vida de las baterías del control. Antisecuestro activado La finalidad de los modos de antisecuestro con el que cuenta este sistema de seguridad es inmovilizar el vehículo en caso de que este sea robado. Estos modos tienen tres tiempos de operación claramente marcados y brindan diferentes advertencias al conductor del vehículo.

<http://www.drupalitalia.org/node/71185>