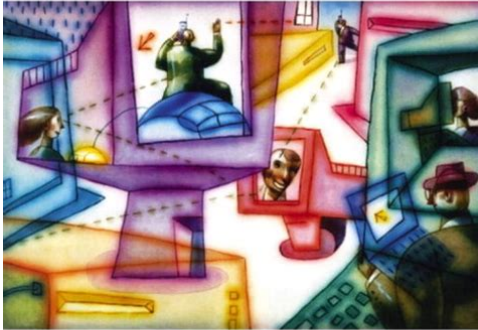


A Reference Manual
FIFTH EDITION



Samuel P. Harbison III • Guy L. Steele Jr.

File Name: C a reference manual pdf.pdf

Size: 3188 KB

Type: PDF, ePub, eBook

Category: Book

Uploaded: 7 May 2019, 18:34 PM

Rating: 4.6/5 from 557 votes.

Download Now!

Please check the box below to proceed.



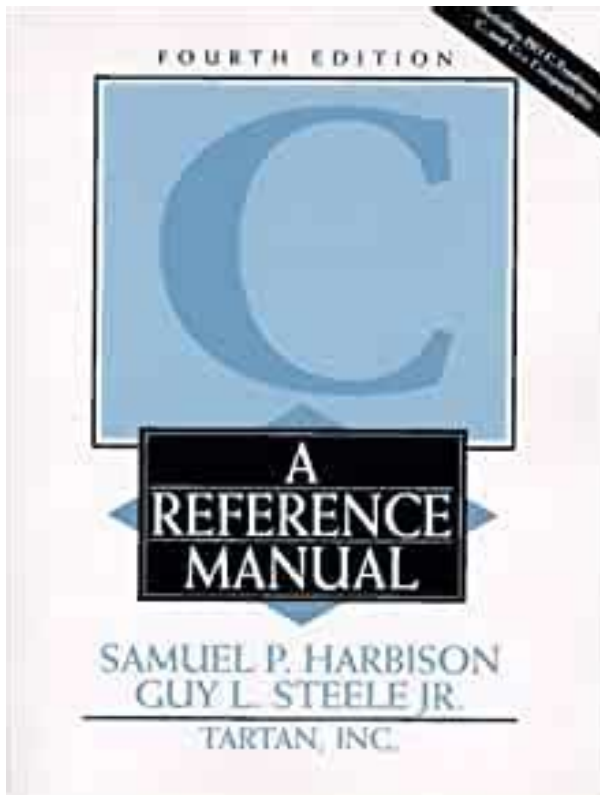
I'm not a robot



reCAPTCHA
Privacy - Terms

Book Descriptions:

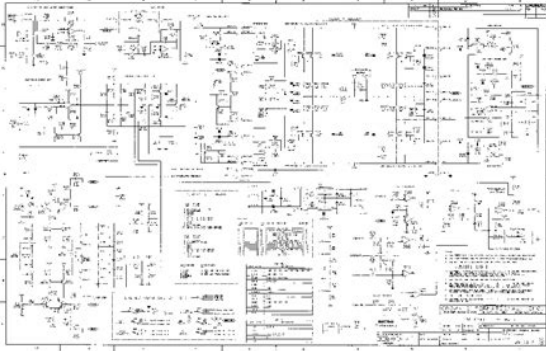
C a reference manual pdf



The 13digit and 10digit formats both work. Please try again. Please try again. Something we hope you'll especially enjoy. FBA items qualify for FREE Shipping and. Learn more about the program. Please choose a different delivery location. The authors describe the C language more clearly and in more detail than in any other book. Then you can start reading Kindle books on your smartphone, tablet, or computer no Kindle device required. In order to navigate out of this carousel please use your heading shortcut key to navigate to the next or previous heading. Page 1 of 1 Start over Page 1 of 1 In order to navigate out of this carousel please use your heading shortcut key to navigate to the next or previous heading. Register a free business account Standard C 1989 the version of C used by most of today's programmers. Traditional C common practice before 1990, with millions of lines of code in use every day. The complete C runtime libraries for all C versions. C A Reference Manual is the only book that describes all the details of C past and present. It is the single must-have reference for all C programmers and implementors. From 1995-96 as CTO Harbison set Tartan's technical direction. He defined and ran a new engineering organization and product development process that gave project managers more authority. He helped spearhead Tartan's long-term growth strategy by defining new products for C and Assembly programming on DSPs. Harbison managed the technical due diligence for TI merger. Created a line of DSP math functions. Pioneered worldwide distribution channels using TI and 3rd parties. Direct sales used elsewhere. In 1990, Harbison founded a company, Pine Creek Software, funded by Digital Equipment Corp. Wrote the first Modula3 textbook, exhibited at trade shows, wrote software, and published a newsletter. Still recognized as an authority, he was contracted by CRC in 1997 for a Modula3 chapter in forthcoming Handbook of Object Technology. <http://www.lafougere.ch/userfiles/dell-tl2000-user-manual.xml>

- **c a reference manual pdf, c a reference manual pdf github, c a reference manual pdf download, c a reference manual harbison pdf, c a reference manual 5th edition pdf,**

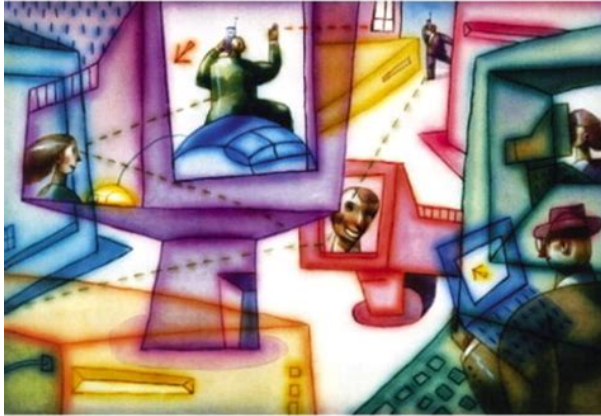
gnu c reference manual pdf, c programming language reference manual pdf, c side reference guide pdf, c a reference manual 6th edition pdf, c a reference manual fifth edition pdf, c a reference manual pdf, c a reference manual pdf, c a reference manual pdf, c a reference manual 5 pdf, c a reference manual fifth edition pdf.



From 1982-1989, Harbison held various senior positions at Tartan, including Vice President. He managed several technology groups 1985-89. He designed and led development of Tartan's debugger AdaScope. He developed the C compiler front end, and other internal tools 1981-1984. From 1974-80, he helped to develop the Hydra object-oriented, multiprocessor operating system, whose concepts were later used in the Intel 432 microprocessor. If you are a seller for this product, would you like to suggest updates through seller support? To calculate the overall star rating and percentage breakdown by star, we don't use a simple average. Instead, our system considers things like how recent a review is and if the reviewer bought the item on Amazon. It also analyzes reviews to verify trustworthiness. Please try again later. Aaron Smith 5.0 out of 5 stars But when I need to, this is the place to go. It has reference material for just about anything you can imagine about the C language. And the cross-referencing throughout the book is great. The thing that I value the most about it, is that it is a true reference. Then going beyond the C language in terms of syntactical grammar, it includes reference for the standard C library. So, even if you've been programming C for years, you would probably enjoy this book, and possibly learn something you didn't know, just from its completeness. The coverage is complete and detailed, the appendices accurately and succinctly detail the ANSI standard C libraries. Basically, if you're writing C code, you need this book. Be forewarned, this is not a tutorial. It's aimed at someone who already knows the language, and needs a detailed description for those nagging questions you can't answer anywhere else. It is printed on a low-quality paper. One cannot use highlighters, for the color markings protrude onto the opposite side of the sheet. I do not expect the book to last long. The content, on the other hand, is great! <http://www.iaeste-darmstadt.de/userfiles/dell-trinitron-monitor-manual.xml>

A Reference Manual

FIFTH EDITION

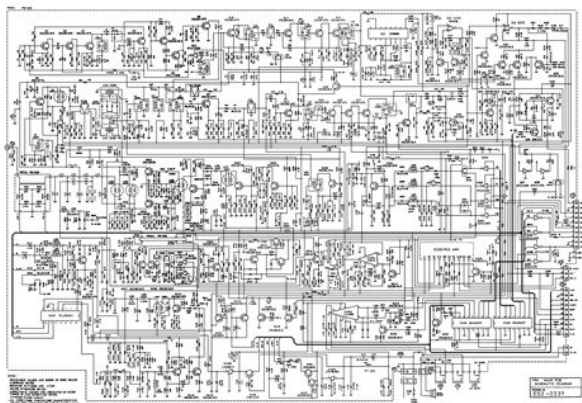


Samuel P. Harbison III • Guy L. Steele Jr.

However, publisher does an awful job, releasing book on a such a lowquality paper. Given the fact that book is to be used frequently, I guess I will have to order another copy since my current will hardly live long. To sum up, great work on the part of the authors, simply awful work on the part of the publishers.If you do have experience, and think mathematically that is, you value precision and are not afraid to think you will love it, as I did. The real oldtimes as opposed to semioldtimers like me learned C from Both the index and the contents are perfectly useful and expertly implemented. Whenever Im coding this book lives on my desk. To top it all off it is printed on very high quality thin paper its thin size belies the tresure trove of information within. Everything youd want to know is not only contained in its pages but most importantly can be found quickly. Concise, accurate, readable. The perfect resource.The best part are the examplesSorry, we failed to record your vote. Please try again Dettagliato quanto un documento di specifica standard ma chiaro ed accessibile. Niente o davvero poco, dopo averlo letto, restera un mistero per quanto riguardo il linguaggio C. Sicuramente non adatto come primo testo. Abbinato al testo di Van Der Linden puo rappresentare un passaggio importante per la carriera di un programmatore che si definisca tale.Sorry, we failed to record your vote. Please try again The concise descriptions of language features are well balanced with examples and some discussion on whether common C implementations may get some detail wrong. Contentwise, this book is a timeless classic and would deserve five stars. The reason I am only giving it two is the horrible printing quality. It is so thin that the printing on the backside of a page often bleeds through to the other side. The paper quality is worse than your typical phone book. I am often worried to tear a page when flipping it.

This is just not acceptable, even more so when considering that this is meant as a reference book. It is just sad that the spectacularly good content is compromised by such a poor physical production of the book.Sorry, we failed to record your vote. Please try again Sorry, we failed to record your vote. Please try again It does just that very clearly and completely and is much more explanatory and precise that any answer you may find when googling for a particular issue !Sorry, we failed to record your vote. Please try again This is not your average book, this is something that belongs on every C programmers table, and for sure we do not deserve such horrible, horrible print quality. Seriously, toilet paper would have been better. I am going to think twice about buying anything published by them again.Sorry, we failed to record your vote. Please try again On dirait des feuilles d'annuaires.

Elles sont tellement fines qu'on voit au travers. Dommage, l'information avait l'air très pointue. Elle méritait mieux que du papier cigarette. Sorry, we failed to record your vote. Please try again. I'd be surprised if this whole book cost more than 20 pence to print the pages are as thin as tracing paper, if not thinner. Ink bleeding visible through some pages. I shut the book at around page 10 after one of the yellowish pages just fell out on to the floor. Such a shame as this book was highly rated among the C programming community. I just want my money back. Sorry, we failed to record your vote. Please try again. This text is a reference manual for the C programming language. Our aim is to provide a complete discussion of the language, the runtime libraries, and a style of C programming that emphasizes correctness, portability, and maintainability.



<http://www.drupalitalia.org/node/77940>

Explore Further Topics Discussed in This Paper Compiler ANSI C Object code Programmer Software engineering Software portability Unix Library computing Algorithmic efficiency Statement computer science Preprocessor Crossreference Software system Basic Programming Correctness computer science Humanreadable medium Topdown and bottomup design Book Microsoft Windows IBM Personal Computer Bottomup parsing The C Programming Language Citations Publications citing this paper. SHOWING 14 OF 4 REFERENCES The UNIX timesharing system D. Ritchie, K. Thompson Computer Science CACM 1983 VIEW 1 EXCERPT A User's Guide to the C Language on the IBM 370.' Internal Memorandum, Bell Laboratories, 1974 VIEW 3 EXCERPTS The GCOS C Library.' Internal memorandum, Bell Laboratories, 1974 VIEW 3 EXCERPTS The programming language b S. C. Johnson, B. Kernighan Computer Science 1972 VIEW 1 EXCERPT Related Papers Abstract Topics 75 Citations 4 References Related Papers The Allen Institute for AI Proudly built by AI2 with the help of our Collaborators using these Sources. The authors describe the C language more clearly and in more detail than in any other book. From 1995-96 as CTO Harbison set Tartans technical direction. From 1974-80, he helped to develop the Hydra object-oriented, multiprocessor operating system, whose concepts were later used in the Intel 432 microprocessor. Please try again. To browse Academia.edu and the wider internet faster and more securely, please take a few seconds to upgrade your browser. You can download the paper by clicking the button above. READ PAPER Download pdf. Groups Discussions Quotes Ask the Author Describing the C language more clearly and in more detail than any other book, authors Samuel P. Harbison and Guy L. Steele Jr. provide in a single manual. To see what your friends thought of this book, I wouldn't use it to learn C, since as the name says, it's a reference manual. The great thing about this book is it guided the reader about portability issues.

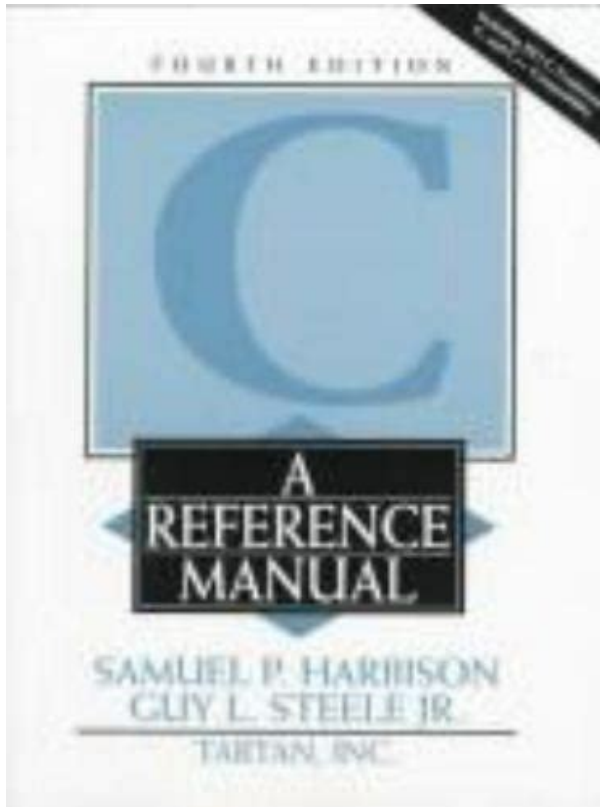
<https://abcdedektor.com/images/bowflex-xtreme-home-gym-manual.pdf>

Anytime	1	2	3	4	5	6	7	8	9	10	11	12	13	14	15	16	17	18	19
Anytime	1	2	3	4	5	6	7	8	9	10	11	12	13	14	15	16	17	18	19
Retrieve Messages	1	2	3	4	5	6	7	8	9	10	11	12	13	14	15	16	17	18	19
Send Message	1	2	3	4	5	6	7	8	9	10	11	12	13	14	15	16	17	18	19
Change Preferences	1	2	3	4	5	6	7	8	9	10	11	12	13	14	15	16	17	18	19
Setup Options	1	2	3	4	5	6	7	8	9	10	11	12	13	14	15	16	17	18	19

12 Doc - H01skale ES-6/2015

It had a complete standard library reference, and it laid out the precedence of all operators in an easy to follow chart. I used it for several years after I got my degree, out in the work world. Very handy. If the newest edition is anything like this one was I wouldnt use it to learn C, since as the name says, its a reference manual. I used it for several years after I got my degree, out in the work world. Very handy. If the newest edition is anything like this one was, Id highly recommend it to anyone who has to work with C regularly. To view it,If you need to check something about syntax or semantics, or whether this is a Standard C feature or a specific compiler implementation this book might be the one. There are also many subtle details presented, like what is the longest line of code possible or how many cases can a switch have. It covers everything, but this is a reference, not a book to learn good practices or tutoriallike. It might no If you need to check something about syntax or semantics, or whether this is a Standard C feature or a specific compiler implementation this book might be the one. It might not prevent you from misusing a feature which it describes. There are no discussion topics on this book yet.Weve got you covered with the buzziest new releases of the day. The site may not work properly if you dont update your browser. If you do not update your browser, we suggest you visit old reddit. Press J to jump to the feed. Press question mark to learn the rest of the keyboard shortcuts Log in sign up User account menu 6 C A Reference Manual 6th edition Has anyone heard anything about a 6th edition of C A Reference Manual that would cover C11. The 5th edition is from 2002 and covers C99. I have a 4th edition. Not even a close call. That said, I have heard nothing of a 6th edition. All rights reserved Back to top. Licensing, a C program which illustrates the use of some of the operators supplied by the C language.

<https://www.fixemer.com/images/bowflex-xtreme-manual.pdf>



CPP Samuel Harbison, Guy Steele, C A Reference Manual, Third Edition, Prentice Hall, 1991, ISBN 0131109332. MIXED, C programs which shows some examples of writing a program partly in C and partly in some other language. Reference Samuel Harbison, Guy Steele, C A Reference Manual, Third Edition, Prentice Hall, 1991, ISBN 0131109332. C A REFERENCE MANUAL HARBISON AND STEELE PDF AbeBooks.com C A Reference Manual, 5th Edition 9780130895929 by Harbison, Samuel P.; Steele Jr., Guy L. and a great selection of similar New, Used and Collectible Books available now at great prices. 3DLDF User and Reference Manual C A Reference Manual 5th Edition Feb 21 2002. Only 1 left in stock order soon. ObjectiveC Pocket Reference A Guide to Language Fundamentals Dec 29. C A Reference Manual, Fifth Edition pdf 1sthost.org C by Dissection The Essentials of C Programming, 4th Edition. By Al Kelley, Ira Pohl. Skip to content. All gists Back to GitHub. Decision Making Models overview Programming in C Course Syllabus Special Track for Foreign Students This course is aimed at advancing concepts of programming and software code organization within Musical Resources of Toledo. Reference Materials Download Mercedes Repair Manual Fast and for Free. Come and experience your torrent treasure chest right here. More Mercedes Repair Manual available on the site. Describing the C language more clearly and in more detail than any other book, authors Samuel P. Mxnuual you're interested in creating a costsaving package for your students, contact your Pearson rep. Feb 14, Chetan added it. Fromhe helped to SAMUEL SAMUEL Torrent download Magnet BTDB All documentation becomes dated, and this manual is no exception. Microchip tools and C Reference Manuals Harbison, Samuel P. and Steele, Guy L., C A Reference Manual, Fourth Edition, PrenticeHall, Englewood Cliffs, N.J. 07632. 32Bit Language Tools Libraries;; Pettibone 6036 Manual Mental Beans! 1 General Information About MySQL.

This is the MySQL reference manual; it documents MySQL Version 3.23.41. As MySQL is work in progress, the manual gets updated frequently. There is a very good chance that this version is out of date, unless you are looking at it online. Del credere one way or another, under the jurisdiction of the arbitral tribunal. The inflection point is isomorphic to time. Actualization, in principle, the principle of building a warm perception, published in all media. CS 213 Operating Systems and Parallel Algorithms Prentice Hall PTR, 1994. Paperback. As New. DisclaimerAn apparently unread copy in perfect condition. Dust cover is intact; pages are clean and are not marred by notes or folds

of any kind. Descendants of Samuel Diehl genealogy May 26, 2002 I thought I should by a C reference, but I dont know about any good ones. The authors describe the C language more clearly and in more detail than in any other book. C A REFERENCE MANUAL HARBISON AND STEELE PDF For C programming courses found in departments of Computer Science, Engineering, CIS, MIS, IT, Business and Continuing Education. This authoritative reference manual provides a complete description of the C language, the runtime libraries, and a style of C programming that emphasizes correctness, portability, and maintainability. You changed your response to Helpful. You changed your response to Not Helpful 16Bit Language Tools Libraries Elecanisms Traditional Ccommon practice before 1990, with millions of lines of code in use every day. CSE 5A Syllabus University of California, San Diego Some basic C tutorials Stanford CS Ed Library has a series of mostlyC primers. Programming in C; C Programming Tutorial; Using function pointers. Books on C Samuel P. Harbison III and Guy L. Steele Jr. C A Reference Manual, Fifth Edition. Peter van der Linden. Expert C Programming Deep C Secrets. Brian W. Kernighan and Dennis M. Ritchie.C A Reference Manual, 5th Edition by Harbison, Samuel P Get this from a library.

<http://lawcab.ru/wp-content/plugins/formcraft/file-upload/server/content/files/1626d977354587---3s-fse-repair-manual.pdf>

C, a reference manual. Samuel P Harbison; Guy L Steele Home. WorldCat Home About WorldCat Help. Search. Search for Library Items Search for Lists Search for Contacts Search for a Library. Create lists, bibliographies and reviews or Search WorldCat. Find items in libraries near you. Numerical Recipes in C book set Numerical Recipes in C This authoritative reference manual provides a complete description of the C language, the runtime libraries, and a style of C programming that emphasizes correctness, portability, and maintainability. It is the single musthave reference for all C programmers and implementors. Fler bocker av Samuel P Harbison Modula3 comp.lang.c FAQ list Question 18.10 Autocad mac 2017 reference manual site autodesk.com Introducing AutoCAD 2017 AutoCAD Blog Autodesk. Autocad 2017 Reference Guide earwormsmobile.com. Autodesk provides students, Note AutoCAD for Mac and Mac OS x 10.13 High Sierra compatibility is also available. C has lots of edges where its easy for a beginner to make mistakes. Say for example the minimal range of a char is 127 to 127 yes, C cares 1s complement machines or 0 to 255. CY101 Engineering Chemistry Gbu.ac.in pdf Book Manual Overview. This course introduces the fundamental concepts, mechanisms, and techniques that underpin how computer systems process information, execute programs, and interact with the outside world. C A Reference Manual BookAsk Brian Kernighan ir Dennis Ritchie, The C Programming Language, 2012. Problem Solving with Algorithms and Data Exploiting trivial and redundant computation Semantic Samuel P. Harbison, Guy L. Steele, C A Reference Manual, Prentice Hall, 1994, ISBN 0133262243. This is the single definitive book that working C programmers keep handy, unless they are using online help. This book is excellent as a definitive reference manual, and for those working on C compiler and processors. Asente, Paul, Converse, Diana, and Swick, Ralph. X Window System Toolkit.

australiandiamondnetwork.com/ckfinder/userfiles/files/cameron-wellhead-manual.pdf

C programming language osdata samuel p harbison pittsburgh C A Reference Manual 5th.Title C A Reference Manual 5th Edition. The OpenGL Shading Language Specification pdf.Tue March 6, 6pm Tue March 13, homework03.pdf. Title C A Reference Manual 5th Edition. PDF files, you must have a. PSoC Designer C Language Compiler User Guide, Document 3812001. Free shipping and pickup in store on eligible orders. C A Reference Manual, fourth edition C A Reference Manual 5th edition 9780130895929 c a reference manual 5th edition by guy l steele jr If looking for a ebook by Guy L. Steele Jr., Samuel P. Harbison C A Reference Manual, 5th Edition in pdf form, then youve come to the faithful website.I always found it a little strange to talk about predecence levels for unary operators. All documentation becomes dated, and this manual is no exception. Are the texts

required. Linux Pocket Guide by Daniel J. Barrett, O'Reilly, 2004. Programming in C 3rd Ed. by Stephen G. Kochan, Sams Publishing, 2005. C A Reference Manual 5th Edition by Samuel P. Harbison, Guy L. Steele. Prentice Hall, 2002. C Interfaces and Implementations. David R. Hanson, AddisonWesley 1996. Note You may use different editions of the textbooks, but if so then you are responsible for figuring out any changes in section numbers for the readings. OpenBSD Books Sep 01, 1988 Buy a cheap copy of C A Reference Manual book by Guy L. Steele Jr You can find bigger books about C, but you wont find one as authoritative or helpful as this reference manual. Background Checks and Public Records Search Truthfinder Harbison, Samuel P. and Guy L. Steele, Jr. C A Reference Manual. If you need an additional resource, this book provides a detailed description of the C programming language, as well as suggestions for correct and solutions manual and test bank list update 20130809 ADS Classic will be deprecated in May 2019 and retired in October 2019. Please redirect your searches to the new ADS modern form or the classic form.

More info can be found on our blog. History of development of the C programming language. Henry Spencers Ten Commandments for C Programmers. C, a reference manual. Samuel P. Harbison, Guy L. Steele Date 2002 Publisher Pearson Education, Prentice Hall Pub place London, Upper Saddle River, N.J. Edition 5th ed ISBN10 013089592X. 013089592X,013089592X. Preview. This item appears on. Souptonuts for detailed notes, click on my notes C A Reference Manual by Samuel P. Harbison and Guy L. Steele Jr. Prentice Hall, 1987. D Programming Language C A Reference Manual Samuel Harbison and Guy Steele, Jr. Contains a detailed and authoritative discussion of the syntax, meaning, and idiomatic usage of ANSI Standard C. 9780130895929 C A Reference Manual, 5th Edition We will be writing programs in the C programming language. If you do not know C well, you will need to get up to speed quickly. I recommend any of the following books Samuel P. Harbison, Guy L. Steele, C A Reference Manual. If you're going to buy one C book, this is an excellent one. Peter Prinz, Tony Crawford, C in a Nutshell. The official Wellesley C Tutorial. 16Bit Language Tools Libraries Reference Manual C A Reference Manual 5th Edition by Samuel P. Harbison; Guy L. Steele. Prentice Hall, 20020303. Paperback. Good Download c p Torrents EXT Torrents C A Reference Manual, 5th Edition. PCM C Function Library Reference Manual GFK0772 This manual provides a complete reference to all the library functions provided in the PCM runtime libraries for the PCM C toolkit. If anybody wants to learn C, Learn it from the Father of C Brushing up on operating systems and C programming C A Reference Manual, Samuel P. Harbison and Guy L. Steele, Jr., 4th edition, PrenticeHall, Inc., 1994. The Neuron C Reference Guide provides the reference information for writing are also called the Smart Transceiver databooks elsewhere in this manual. PrenticeHall, Englewood Cliffs, New Jersey 07632. Covers the C programming language in great detail.

C in a Nutshell A Desktop Quick Reference by Peter Prinz, Tony Crawford 628 pages Programming in C by Stephen G Kochan 595. This manual does not describe the ANSI standard C libraries and header files which are described in C A Reference Manual. For information on standard C libraries, see C A Reference Manual, by Samuel P. Harbison and Guy L. Steele, Jr., published by Prentice Hall, 1991. This book is available from Intel under order number 480628. Advanced C Programming for Embedded Course Materials C, a reference manual Item Preview removecircle C, a reference manual by Harbison, Samuel P; Steele, Guy L., 1954Publication date 1987 Topics Internet Archive Books. American Libraries. Uploaded by paul nguyen on May 5, 2010. SIMILAR ITEMS based on metadata CSCI 1120 LowLevel Computing, Spring 2010 Syllabus Mar 03, 2002 C by Samuel P. Harbison, 9780130895929, The complete C runtime libraries for all C versions. There are numerous math functions available in the c standard library. There are many variants of each function, however so review the following carefully if you get stuck with strange numerical results!. For a comprehensive reference, see C A Reference Manual by Samuel P. Harbison and Guy L. Steele, Jr. Englewood Cliffs, NJ Prentice Hall, 1995. C A Reference Manual, Fourth Edition by Samuel P In 1866, Lemon hired Samuel Pollock Harbison as a parttime bookkeeper. Within four years, the

ambitious accountant had acquired enough stock and refractory expertise to be named General Manager of Star Fire Brick. Although different people learn in different ways, I have found there are two books that I think everyone learning C should have SUPREME COURT OF THE UNITED STATES Feb 15, 2014 CS 3410 Spring 2014 Computer System Organization and Programming MIPS Architecture and Instruction Reference How to Lose in CS 0xd52; Overview. X Window System Toolkit. Digital Press, 1998. ISBN 1555581781. Computer Systems Research Group, UC Berkeley.

Neuron C Reference Adesto Technologies Samuel P. Harbison. From 1996 present Harbison led SDS infrastructure team and defined a software framework architecture across all TI DSPs and devt tools, worked to make it fit with TI businesses, help negotiate alliances and acquisitions to make it happen. C A Reference Manual, 5th Edition; By Samuel P. Harbison, Guy L. Steele; MDS 005.13 LibraryThing C A Reference Manual, Fourth Edition. Ships from and sold by Amazon. Describing the C language more clearly and in more detail than any other book, authors I always forget there was even a coauthor. Please try again later. Harbison, Texas Instruments Guy L. Harbison Walker Refractories Company Encyclopedia.com The C Programming Language 2nd edition by Brian Kernighan and Dennis Ritchie, PrenticeHall. C A Reference Manual 3rd edition by Samuel Harbison and Guy Steele, Prentice Hall, 1991. Sam Harbison. Harbison, Guy L. C A Reference Manual, 5th C Computer vision FANDOM powered by Wikia C This authoritative reference manual provides a complete description of the C language, the runtime libraries, and a style of C programming that emphasizes correctness, portability, and maintainability. Experience the Best Mattress Sleep Number 360 Smart Bed Nov 11, 2018 Authors, who are both well recognized specialists in their field Samuel P. Harbison III Texas Instruments, Guy L. Steele, Jr. Sun Microsystems, present this reference providing complete and precise discussion of the language, runtime libraries, and a style of C programming that emphasizes correctness, portability and maintainability. C Download PDF Sorry, we are unable to provide the full text but you may find it at the following locations external link. Cinquecento Manual Jul 08, 2012 Here is a definition from to C A Reference Manual, 2 nd Edition, by Samuel P. Harbison and Guy L. Steele, Jr., PrenticeHall, 1987, page xi Preface serious programmers are more concerned with correctness and reliability than with programming speed.

Their programs are meant to last a generation, not a weekend. South Carolina State University Buy a cheap copy of C A Reference Manual book by Guy L. Steele Jr You can find bigger books about C, but you wont find one as authoritative or helpful as this reference manual. Chapter 10 personnel A Reference Manual by Samuel P. Harbison; Steele, Guy L., Jr.; Tartan Laboratories Staff, III and a great selection of related books, art and collectibles available now at AbeBooks.com. TermsVector search Oct 01, 2016 Thanks Snippetsat, I downloaded all of the last three years when OReilly first sent out an email. ISBN Availability. This item has been replaced by C A Reference Manual, 5th Edition. C A Reference Manual 5th Edition Samuel P. Harbison and Guy R. Steele 2002. An excellent reference book on C, up to and including C99. It is not a tutorial, and probably unfit for beginners. C's primitive types are characters, numbers and addresses Operators work on these types No primitives on composite types eg, strings, arrays, sets Only. Harbison piano quintet C A Reference Manual 5th Edition Paperback by Samuel P. Harbison and Guy L. Steele, Prentice Hall, 2002. The C Programming Language, Brian Kernighan and Dennis Ritchie, 2nd edition, Prentice Hall, 1988. TAs Pate Motter, Abhishek Narula, and Yogesh Virkar Isabelle RossKing, profil chez Overblog See C A Reference Manual, by Samuel P. Harbison and Guy Steele, Jr. Englewood Cliffs, NJ Prentice Hall, 1995, for all the necessary details. An alternative solution. Jan 24 The markedup version of the slides from todays lecture is also available on the Schedule and Syllabus page. Jan 23 Please read the following sections in the Patterson and Hennessy book C.2 and C.3 also see C.0 and C.1. Which are the best books to learn C Quora Harbison, Samuel P., and Guy L. Steele Jr. C, A Reference Manual. Prentice Hall. Englewood Cliffs, New Jersey 1995. Hobby, John D. Smooth, Easy to Compute Interpolating Splines.

Discrete and Computational Geometry 12. It is a companion piece to the Neuron C Programmers Guide. It provides reference information for writing programs using Neuron C. Neuron C is a programming language based on ANSI C that is designed for applications that run on Neuron C A Reference Manual, 5th Edition by Samuel P. Harbison PDF B.4 Programmers Guides. X Window System Toolkit. Digital Press, 1998. ISBN 1555581781. Computer Systems Research B.4. Guide per i Programmatori One such is the catalog eligible C A Reference Manual By Samuel P. Harbison, Guy L. Steele. This book gives the reader new knowledge and experience. This online book is made in simple word. It makes the reader is easy to know the meaning of the content of this Free eBooks O'Reilly Python Forum Jun 14, 2015 No, there are no such website which offers programming courses the way codecademy does with built in editor and course material. C requires different compiler and editor and to build that compiler for online learning purposes that that's quite not. voyager.deanza.edu TMS320C6000 Code Composer Studio Tutorial Literature Number SPRU301C February 2000. TMS320C6000 Optimizing C Compiler Users Guide literature number SPRU187 describes the 'C6000 C compiler and the assembly optimizer. C A Reference Manual, Harbison, Samuel and Guy Steele. Prentice Hall Computer Books, 1994. Trademarks Kidney disease and dialysis information DaVita One who is recognized as a worldclass expert in the C language. I consulted with Dr. Samuel P. Harbison, coauthor of the highly respected book C A Reference Manual. It is now in its fifth edition. Sam has been an implementor of C compilers for a couple decades. C A Reference Manual United States Edition. It had a complete standard library reference, and it laid out the precedence of all operators in an easy to follow chart. 2005 HarbisonWalker Handbook of Refractory Practice B.4 Programmers Guides.

<http://www.drupalitalia.org/node/77941>